

# ***ROGUE EM 125, ROGUE EM 140***



## **Spare parts list**

| <b>Ordering no.</b> | <b>Denomination</b> | <b>Note</b>          |
|---------------------|---------------------|----------------------|
| 0700 301 081        | Rogue EM 125        | Welding power source |
| 0700 301 082        | Rogue EM 140        | Welding power source |

Spare parts may be ordered through your nearest ESAB dealer, see [esab.com](http://esab.com). When ordering, please state product type, serial number, denominations and ordering numbers according to the spare parts list. This facilitates dispatch and ensures correct delivery.

Maintenance and repair work should be performed by an experienced person, and electrical work only by a trained electrician. Use only recommended spare parts.

For accessories to the product, see the instruction manual.

The three last digits in the document number of the manual show the version of the manual. Therefore they are replaced with \* here. Make sure to use a manual with a serial number or software version that corresponds with the product, see the front page of the manual.

TABLE OF CONTENTS

---

- 1 SPARE PARTS ..... 4**
- 1.1 Housing module ..... 4**
- 1.2 Connection parts ..... 6**
- 1.3 User interface ..... 8**
- 1.4 Spool hub assembly Rogue EM 125 ..... 9**
- 1.5 Spool hub assembly Rogue EM 140 ..... 10**

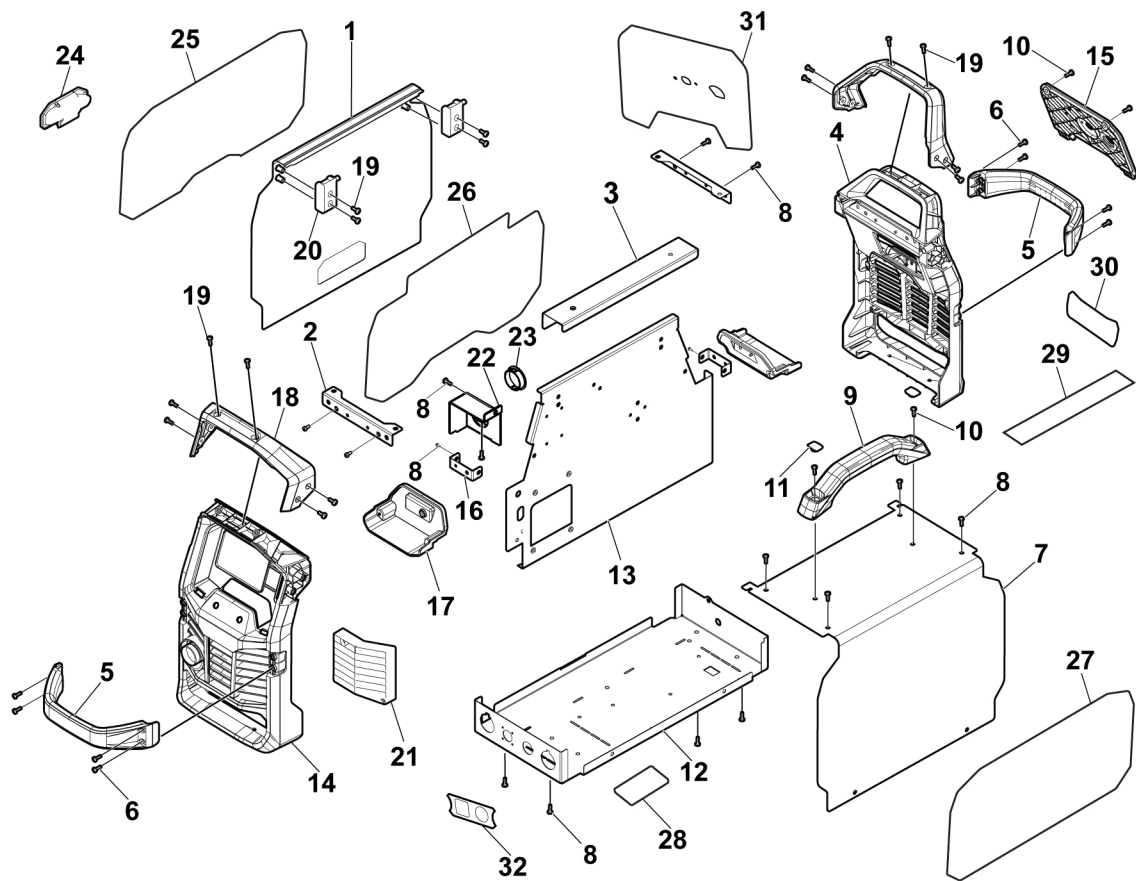
# 1 SPARE PARTS

## 1.1 Housing module

| C = Component designation in the circuit diagram |     |              |  |       |   |
|--|-----|--------------|--|-------|---|
| Item   | Qty | Ordering no. | Denomination                           | Notes | C |
| 1  | 1   | 0558 102 972 | Panel, door, Rogue (no label)          |       |   |
| 2  | 2   |              | Bracket, connecting, front/rear        |       |   |
| 3  | 1   |              | Bracket, connecting, handle, lifting   |       |   |
| 4  | 1   | 0558 111 142 | Panel, rear, EM/EMP/ET                 |       |   |
| 5  | 2   | 0558 111 143 | Handle, front/rear, EM/EMP             |       |   |
| 6  | 10  |              | Screw, pan head, M4x12, T-20, black    |       |   |
| 7  | 1   | 0558 102 983 | Cover, Rogue EM/EMP (no label)         |       |   |
| 8  | 20  |              | Screw, pan head, M5x12, T-25, black    |       |   |
| 9  | 1   | 0464 670 007 | Handle                                 |       |   |
| 10   | 4   |              | Screw, pan head, M5x25, T-25, black    |       |   |
| 11   | 2   | 0558 102 999 | Cover, screw, blind hole               |       |   |
| 12   | 1   |              | Base, Rogue EM/EMP (no label)          |       |   |
| 13   | 1   |              | Baffle, center, Rouge EM/EMP           |       |   |
| 14   | 1   | 0558 111 140 | Panel, front, EM/EMP                   |       |   |
| 15   | 1   | 0558 111 153 | Panel, mount, mains, rotary, EM/EMP/ET |       |   |
| 16   | 2   |              | Bracket, baffle, center, Rouge EM/EMP  |       |   |
| 17   | 2   | 0558 111 148 | Cover, panel, access, F/R, EM/EMP/ET   |       |   |
| 18   | 2   | 0558 111 144 | Handle, cover, top, EM/EMP/ ET         |       |   |
| 19   | 10  |              | Screw, pan head, M4x8, T-20, black     |       |   |
| 20   | 2   | 0558 111 151 | Hinge, door, EM/EMP                    |       |   |
| 21   | 1   | 0558 111 149 | Panel, louver, IP, EM/EMP              |       |   |
| 22   | 1   |              | Cover, output, weld                    |       |   |
| 23   | 1   |              | Cover, access, bulkhead                |       |   |

1 SPARE PARTS

| C = Component designation in the circuit diagram |     |              |                                       |              |   |
|--|-----|--------------|---------------------------------------|--------------|---|
| Item   | Qty | Ordering no. | Denomination                          | Notes        | C |
| 24   | 1   | 0558 111 152 | Latch, door, EM/EMP                   |              |   |
| 25   | 1   | 0558 111 115 | Label, side, Rogue                    |              |   |
| 26   | 1   | 0558 111 099 | Label, par. chart, door               | Rogue EM 125 |   |
|  |     | 0558 111 100 |                                       | Rogue EM 140 |   |
| 27   | 1   | 0558 111 114 | Label, side, ESAB                     |              |   |
| 28   | 1   |              | Label, rating                         |              |   |
| 29   | 1   | 0558 111 096 | Label, general precautionary, CSA     |              |   |
| 30   | 1   |              | Label, gas, rear, lower, 125/140      |              |   |
| 31   | 1   | 0558 811 117 | Label, mains, rear, upper             |              |   |
| 32   | 1   |              | Label, polarity, remote, front, lower |              |   |

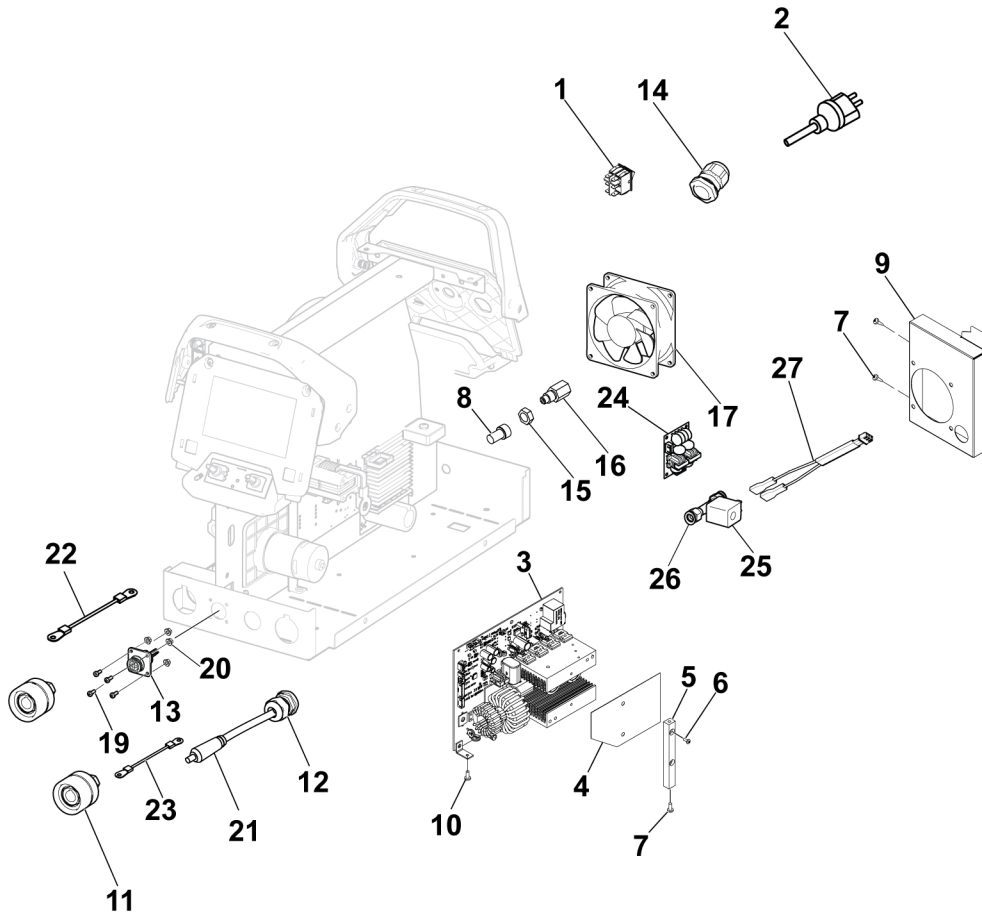


## 1.2 Connection parts

| <b>C = Component designation in the circuit diagram</b> |            |                     |   |              |          |
|---|------------|---------------------|---|--------------|----------|
| <b>Item</b>   | <b>Qty</b> | <b>Ordering no.</b> | <b>Denomination</b>                                     | <b>Notes</b> | <b>C</b> |
| 1   | 1          | 0558 103 006        | Switch, power, 30 A/250 V (with cover)                  |              | SW1      |
| 2   | 1          | 0558 102 995        | Cable, mains, SOOW, 600 V, 3C/14 AWG (w/plug)           |              |          |
| 3   | 1          | 0558 102 984        | PCBA, control, main                                     |              | 15AP1    |
| 4   | 1          |                     | Baffle, air, insulating                                 |              |          |
| 5   | 1          |                     | Support, heat sink, PVC                                 |              |          |
| 6   | 1          |                     | Screw, pan head, M4x12, T-20, black                     |              |          |
| 7   | 10         |                     | Screw, pan head, ST 4.2x9.5F, T-20, black               |              |          |
| 8   | 1          | 0558 103 007        | Fitting, joint, tracheal                                | Rogue EM 125 |          |
|   |            | 0558 102 980        |   | Rogue EM 140 |          |
| 9   | 1          |                     | Bracket, mounting, fan                                  |              |          |
| 10  | 1          |                     | Screw, pan head, M4x8, T-20, black                      |              |          |
| 11  | 2          | 0464 671 004        | Connector, OKC, female, 50 mm <sup>2</sup>              | Rogue EM 140 |          |
|   |            | 0558 103 005        | Connector, OKC, female, 25 mm <sup>2</sup>              | Rogue EM 125 |          |
| 12  | 1          | 0558 102 976        | Connector, relief, strain, reversing, polarity          |              |          |
| 13  | 1          | 0558 102 975        | Receptacle, w/harness, trigger, 8-pin                   | Rogue EM 140 |          |
| 14  | 1          | 0464 674 002        | Gland, cable, mains                                     |              |          |
| 15  | 1          | 0558 102 989        | Nut, brass, M14x1.5                                     |              |          |
| 16  | 1          | 0558 102 990        | Fitting, gas, female, 5/8"-18 RH                        |              |          |
| 17  | 1          | 0558 102 987        | Fan, w/ leads   |              |          |
| 19  | 4          |                     | Screw, pan head, M3x8, T-10, black                      | Rogue EM 140 |          |
| 20  | 4          |                     | Nut, hex, M3  | Rogue EM 140 |          |
| 21  | 1          | 0558 102 988        | Cable, reversing, polarity, male, 25 mm <sup>2</sup>    | Rogue EM 125 |          |
|   |            | 0558 102 957        |   | Rogue EM 140 |          |
| 22  | 1          | 0558 103 013        | Lead, weld, negative, 7 AWG/10 mm <sup>2</sup> , 200 mm |              |          |
| 23  | 1          | 0558 103 012        | Lead, weld, positive, 7 AWG/10 mm <sup>2</sup> , 350 mm |              |          |
| 24  | 1          | 0558 102 973        | PCBA, remote, filter                                    | Rogue EM 140 | 21AP1    |

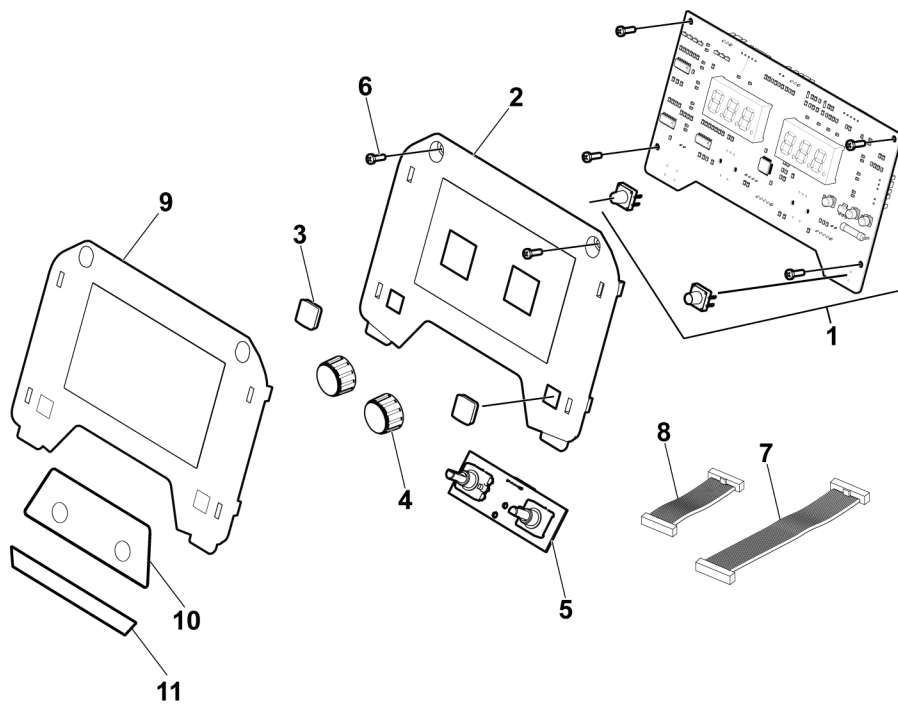
1 SPARE PARTS

| C = Component designation in the circuit diagram |     |              |                                      |              |     |
|--|-----|--------------|--------------------------------------|--------------|-----|
| Item   | Qty | Ordering no. | Denomination                         | Notes        | C   |
| 25   | 1   | 0558 102 977 | Valve, gas, 24 VDC, 0.8 MPa (116psi) | Rogue EM 140 | GV1 |
| 26   | 2   | 0558 102 979 | Fitting, joint, tracheal, male       | Rogue EM 140 |     |
| 27   | 1   | 0558 102 958 | Lead set, valve, gas                 | Rogue EM 140 |     |



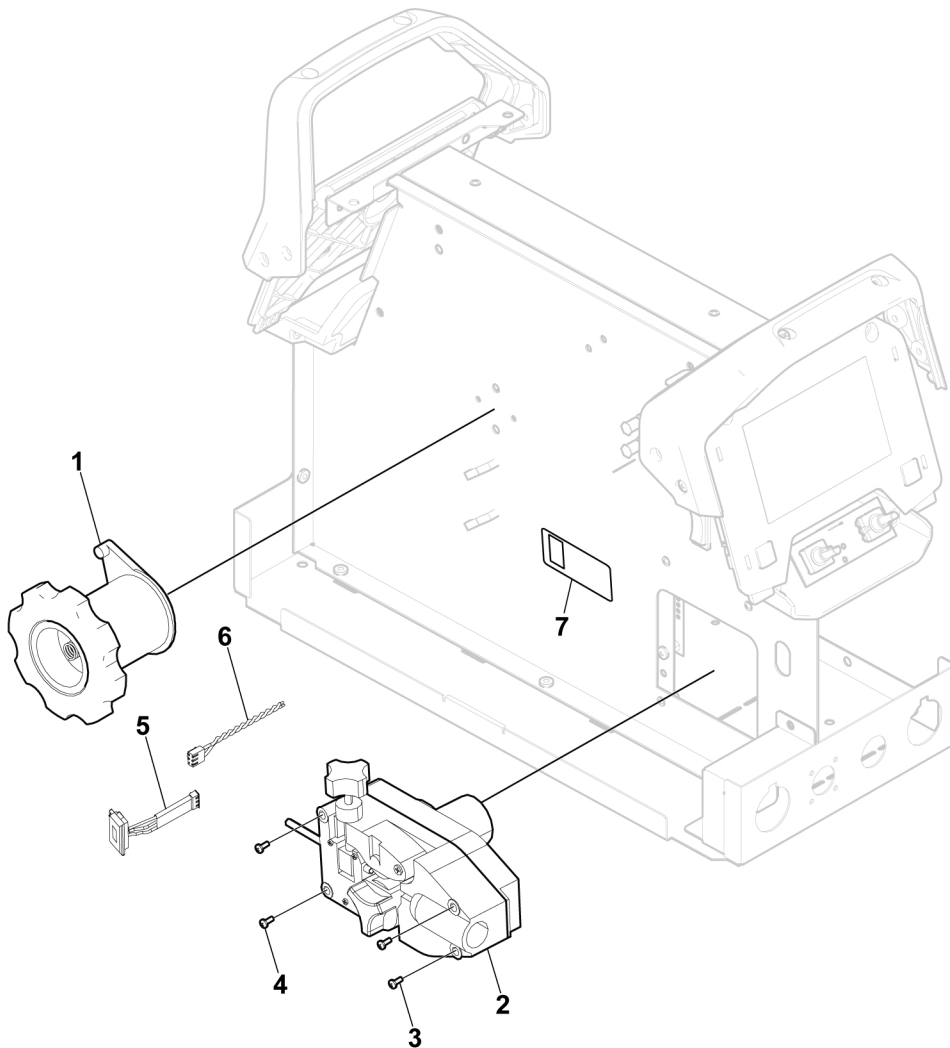
### 1.3 User interface

| C = Component designation in the circuit diagram |     |              |                                     |   |      |
|--|-----|--------------|-------------------------------------|---|------|
| Item   | Qty | Ordering no. | Denomination                        | Notes                                     | C    |
| 1  | 1   | 0558 102 985 | PCBA, control, UI                   | EM 125                                    | 1AP1 |
|  |     | 0558 102 848 |                                     | EM 140                                    |      |
| 2  | 1   | 0558 111 155 | Panel, mount, UI, EM                |   |      |
| 3  | 2   | 0464 672 003 | Cover, button, push, rubber         |   |      |
| 4  | 2   | 0464 672 004 | Knob, control, Rogue                |   |      |
| 5  | 1   | 0558 102 986 | PCBA, control, encoder              |   | 1AP2 |
| 6  | 2   |              | Screw, pan head, M5x25, T-25, black |   |      |
| 7  | 1   | 0558 102 992 | Cable, ribbon, 5P                   | Connection: 1AP1 to 15AP1<br>Rogue EM 125 |      |
|  |     |              |                                     | Connection: 15AP1 to 1AP1<br>Rogue EM 140 |      |
| 8  | 1   | 0558 102 991 | Cable, ribbon, 7P                   | Connection: 1AP1 to 1AP2                  |      |
| 9  | 1   | 0558 111 130 | Label, user interface 125           |   |      |
|  |     | 0558 111 131 | Label, user interface 140           |   |      |
| 10   | 1   |              | Label, encoder, front               |   |      |
| 11   | 1   |              | Label, Rogue EM125/140              |   |      |



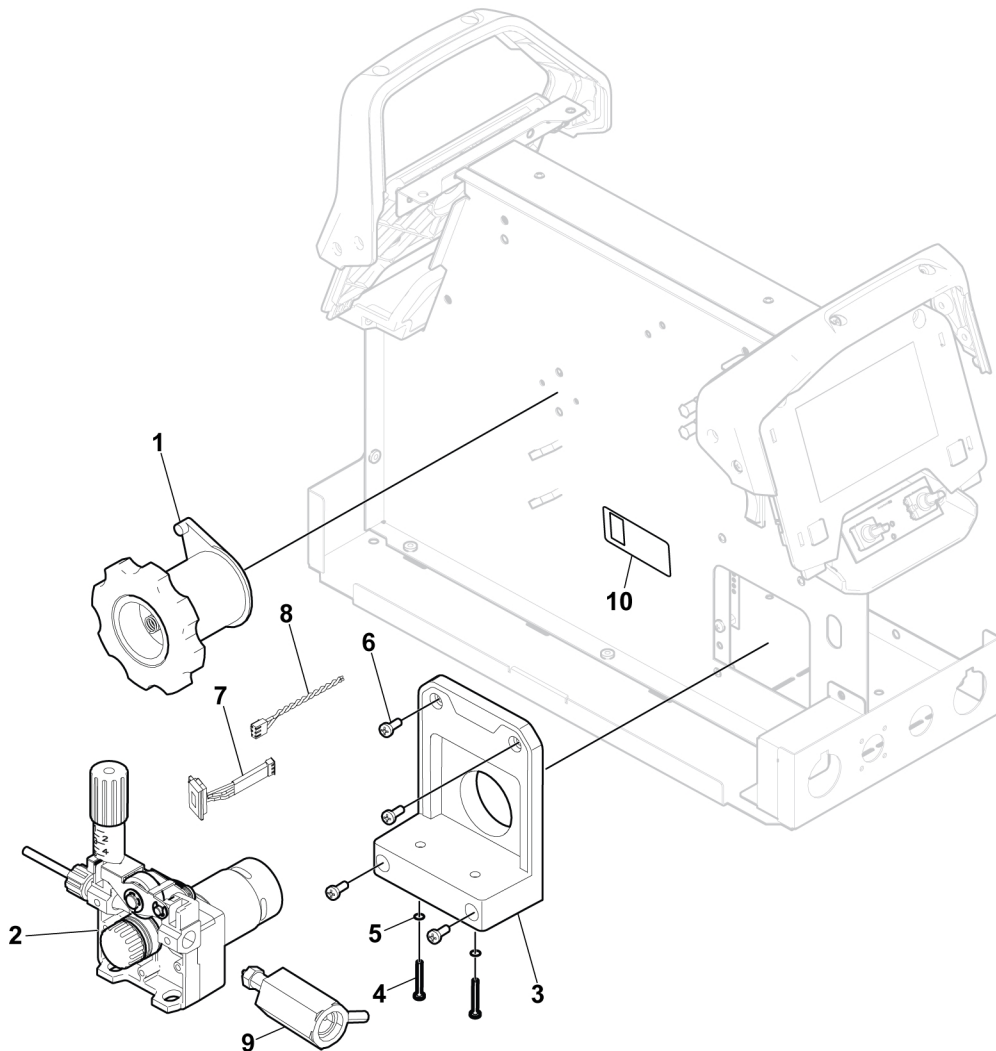
## 1.4 Spool hub assembly Rogue EM 125

| C = Component designation in the circuit diagram |     |              |   |       |     |
|--|-----|--------------|---|-------|-----|
| Item   | Qty | Ordering no. | Denomination  | Notes | C   |
| 1  | 1   | 0558 103 001 | Spool hub assembly                                    |       |     |
| 2  | 1   | 0558 103 004 | Gear box, drive, wire, w/motor and drive              |       | M1  |
| 3  | 2   |              | Screw, pan head, ST 4.8x50 F,T-25, black              |       |     |
| 4  | 2   |              | Screw, pan head, ST 4.8x38 F, T-25, black             |       |     |
| 5  | 2   | 0558 102 994 | Switich, rocker, momentray, inching, 1P/1T, w/leads 1 |       | SW2 |
| 6  | 4   | 0558 102 993 | Harness, drive, wire                                  |       |     |
| 7  | 1   |              | Label, caution, jog/purge                             |       |     |



## 1.5 Spool hub assembly Rogue EM 140

| C = Component designation in the circuit diagram |     |              |   |                   |     |
|--|-----|--------------|---|-------------------|-----|
| Item   | Qty | Ordering no. | Denomination  | Notes             | C   |
| 1  | 1   | 0558 103 001 | Spool hub assembly                                    |                   |     |
| 2  | 1   | 0558 102 981 | Gear box, drive, wire, w/motor and drive              | Including harness | M1  |
| 3  | 1   | 0558 111 147 | Support, stand, drive, EM/EMP, CSA                    |                   |     |
| 4  | 2   |              | Screw, pan head, M6x20, #2 Phillips, black            |                   |     |
| 5  | 2   |              | Nut, locking, M6                                      |                   |     |
| 6  | 4   |              | Screw, pan head, M5x12, T-27 Phillips, black          |                   |     |
| 7  | 1   | 0558 102 994 | Switch, rocker, momentary, inch/purge, 2P/2T, w/leads |                   | SW2 |
| 8  | 1   | 0558 102 974 | Harness, drive, wire                                  |                   |     |
| 9  | 1   | 0558 102 982 | Receptacle, torch, Tweco                              |                   |     |
| 10   | 1   |              | Label, caution, jog/purge                             |                   |     |







# A WORLD OF PRODUCTS AND SOLUTIONS.



For contact information visit <http://esab.com>

ESAB AB, Lindholmsallén 9, Box 8004, 402 77 Gothenburg, Sweden, Phone +46 (0) 31 50 90 00

[manuals.esab.com](http://manuals.esab.com)

